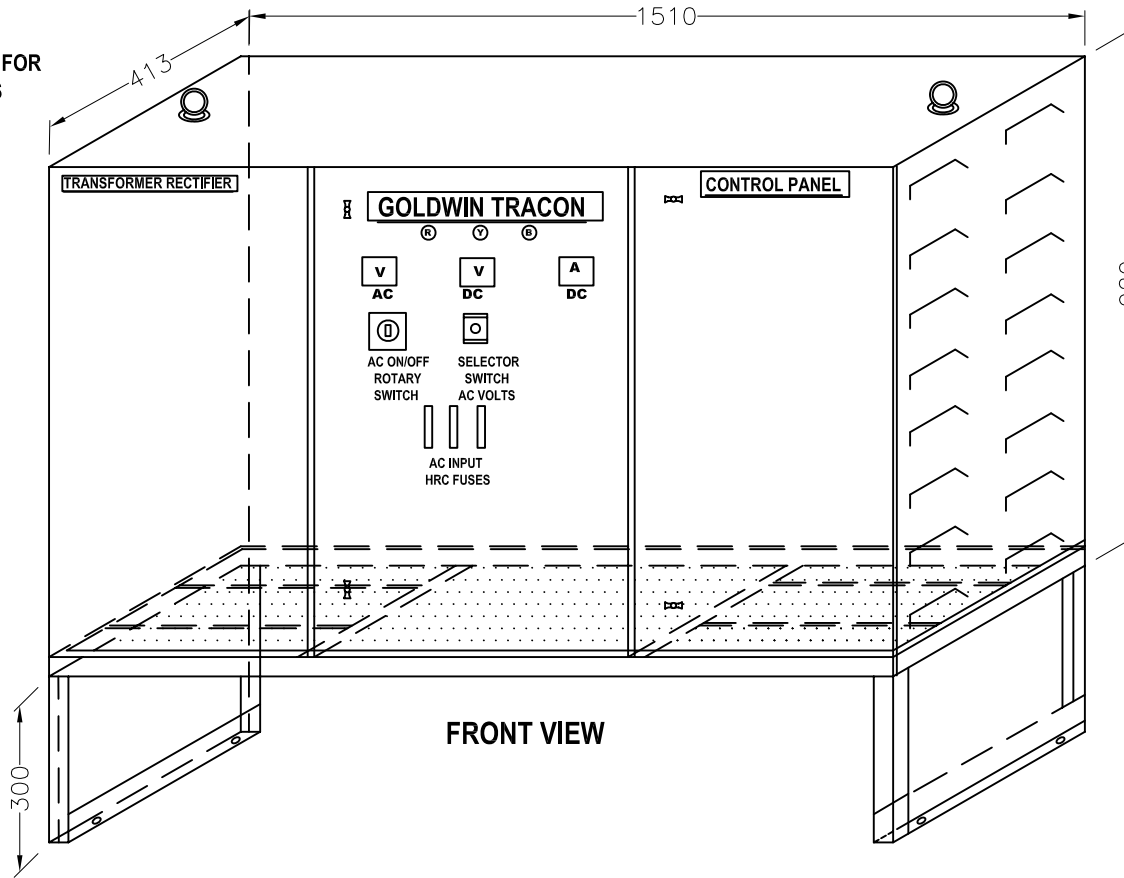
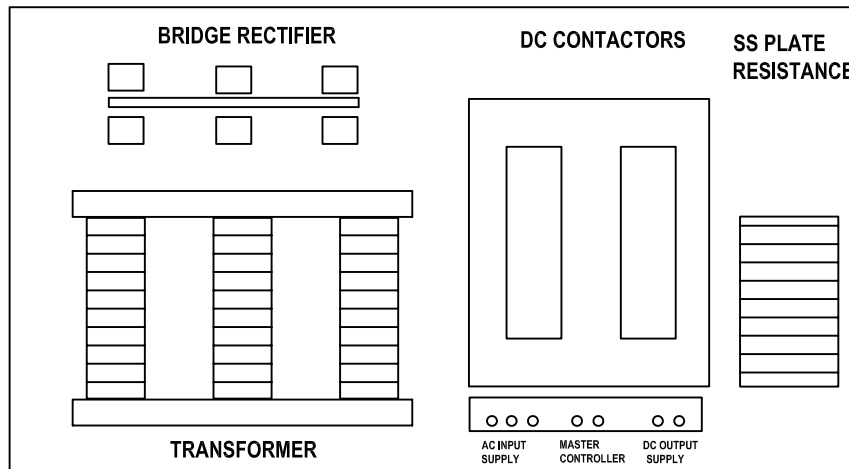



**SIDE VIEW**



**FRONT VIEW**



**PANEL LAYOUT**

DRAWN		18-08-06	CUSTOMER : Hill Metals Est.
CHECKED			TITLE : G.A. DRAWING (1600/1700/1900 mm Dia)
APPROVED			MAGNET TRANSFORMER RECTIFIER PANEL
<b>GOLDWIN TRACON (P) LIMITED</b> ISC COMPOUND L.B.S. MARG,JANATA MARKET BHANDUP (W), MUMBAI-400078 TEL:65803945			SCALE : NTS. 
DIMENSIONS IN MM UNLESS OTHERWISE STATED			M.SPECIFICATION : DRG.No. : SHEET : 1 OF 1