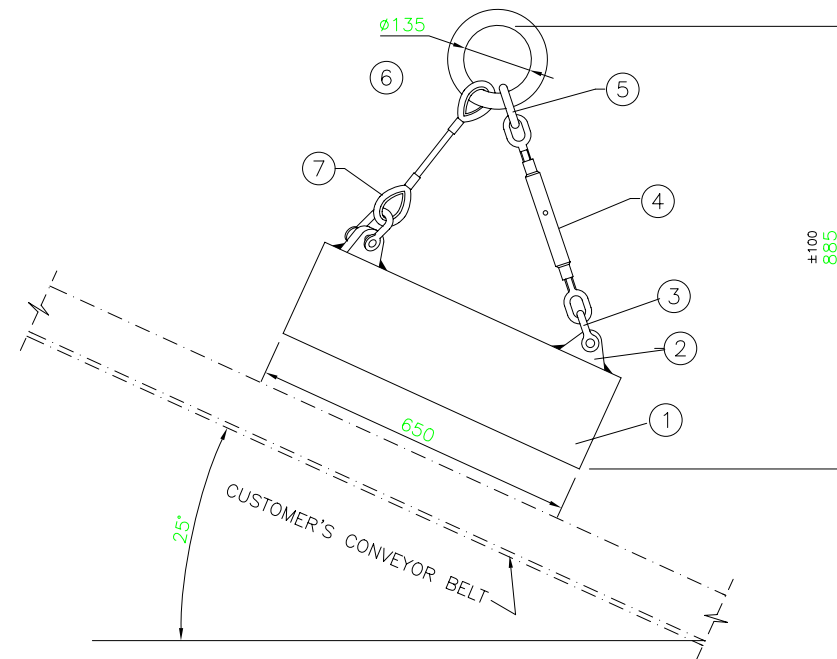


VIEW WITHOUT INCLINATION



**TECHNICAL SPECIFICATION**

LOCATION :  
 BELT WIDTH : 650mm  
 MATERIAL :  
 BULK DENSITY : 0.8 MT/Cu.M./2.3 MT/Cu.M.  
 CAPACITY : 30 TPH.(Max.)  
 CONVEYOR INCLINATION: : 25°  
 MAX.BURDEN DEPTH : 150mm  
 MAX.WEIGHT OF TRAMP IRON : 5KGS.OF NORMAL TRAMP IRON  
 PIECES TO BE SEPARATED HAVING L/D RATIO 5:1, IF FREE PATH IS AVAILABLE

OPERATING HEIGHT : 175mm TO 200mm  
 ESTIMATED WEIGHT : 450 Kgs.±10%

**NOTE:**  
 1. CAPACITY OF SUSPENSION ARRANGEMENT 2.5 TONS  
 2. PAINT SHADE : WINDSOR GREEN

6	WIRE ROPES	ALLOY STEEL (IS-2266)	2
6	BULL RING	MILD STEEL (IS-2062)	1
5	EGG LINK	MILD STEEL (IS-2062)	1
4	TURNBUCKLE	ALLOY STEEL (IS-3121)	1
3	DEE SHACKLES	ALLOY STEEL (IS-6132)	3
2	LIFTING LUGS	MILD STEEL (IS-2062)	3
1	MAGNET	PERMANENT MAGNET, (SS-304)	1

ITEM	DESCRIPTION	MATERIAL	QTY
------	-------------	----------	-----

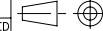
ISC GROUP

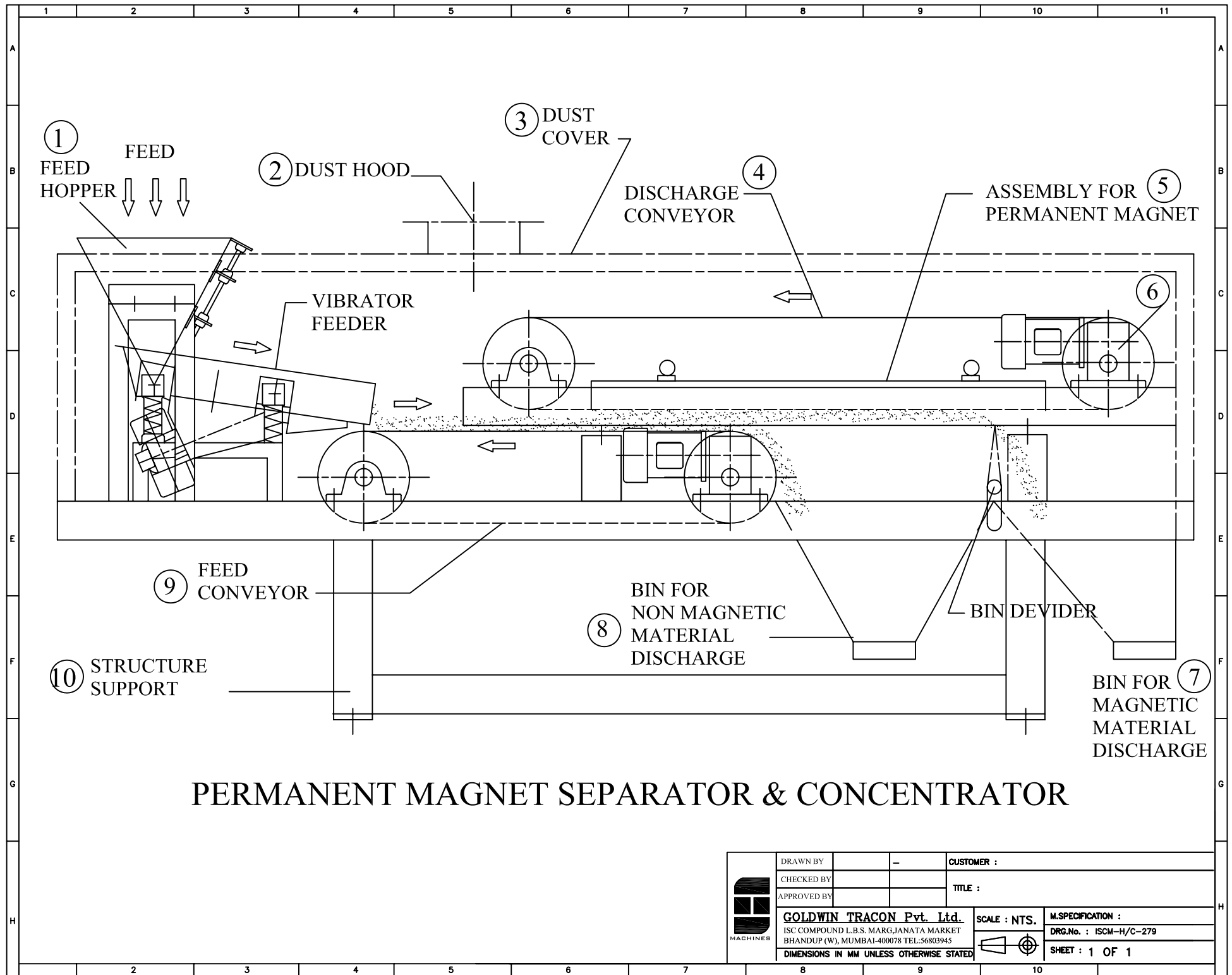



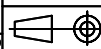
CUSTOMER :  
 PROJECT :  
 CONSULTANT :  
 PLEASE NOTE : THE DESIGN IS SUBJECT TO CHANGES ON ACCOUNT OF TECHNOLOGY UPGRADATION

R.No.	ZONE	BRIEF RECORDS OF REVISION	DRAWN	CHD.	APPD.	DATE

DRAWN	D.J.Singh	12-11-03	EQUIPMENT : PM-SUSPENSION MAGNET
CHECKED			TITLE : G.A.DRG FOR PERMANENT SUSPENSION MAGNET
APPROVED			
GOLDWIN TRACON (P) LIMITED BPT PLOT No.52 VICTORIA OVER BRIDGE ROAD REAY ROAD MUMBAI-4000 03 PH:23740867			SCALE : NTS.
P.O.No. :      JOB No. :      ISSUED ON :      QTY. : 1 No.			DRG.No. : GTPL-PMSM-41/03
DIMENSIONS IN MM UNLESS OTHERWISE STATED			SHEET : 1 OF 1





 MACHINES	DRAWN BY	-	CUSTOMER :
	CHECKED BY		TITLE :
	APPROVED BY		
<b>GOLDWIN TRACON Pvt. Ltd.</b>		SCALE : NTS.	M.SPECIFICATION :
ISC COMPOUND L.B.S. MARGJANATA MARKET BHANDUP (W), MUMBAI-400078 TEL:-56803945			DRG.No. : ISCM-H/C-279
DIMENSIONS IN MM UNLESS OTHERWISE STATED			SHEET : 1 OF 1