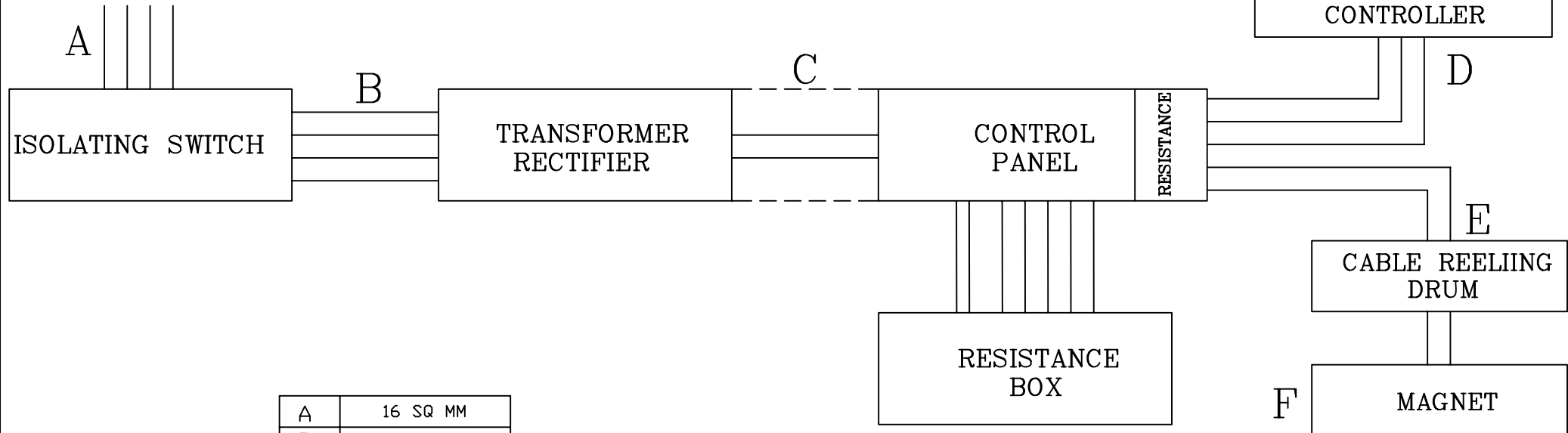


PHASE, 380-440 VOLTS A.C.50 HZ



A	16 SQ MM
B	16 SQ MM
C	25 SQ MM
D	2.5 SQ MM
E	25 SQ MM
F	25 SQ MM

DRAWN	T.A.P.	-	CUSTOMER : Electrotherm (I) Ltd..
CHECKED			TITLE : BLOCK DIAGRAM AND CABLE SCHEDULE
APPROVED			
GOLDWIN TRACON (P) LIMITED ISC COMPOUND L.B.S. MARG, JANATA MARKET BHANDUP (W), MUMBAI-400078 TEL:65803945			SCALE : NTS.
DIMENSIONS IN MM UNLESS OTHERWISE STATED			M.SPECIFICATION : DRG.No. :
			SHEET : 3 OF 1

